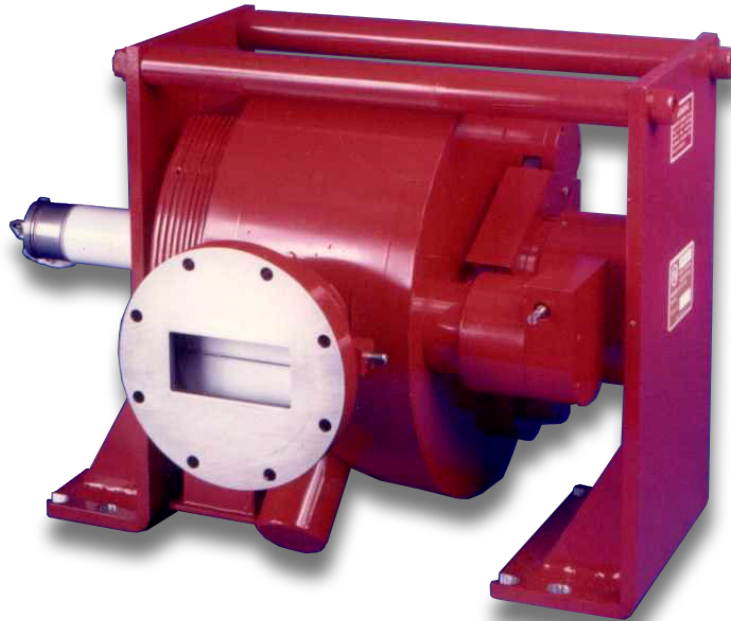


CPI Electron Device Business - Coaxial Magnetron



The VMS1610 is a coaxial magnetron delivering high peak and average RF power for use in various radar transmitters.

The VMS1610 will mount directly into new and existing sockets and can be operated under various pulse and input conditions to accommodate wide ranging operating requirements. In addition to high power, the VMS1610 provides excellent frequency stability, low jitter and long life.

FEATURES:

- Frequency 2.7 – 2.9 GHz
- Peak power output 1.0 MW
- Duty cycle .0012
- Air cooled
- Mechanically tunable

BENEFITS:

- Long life
- Exceptional frequency stability

APPLICATIONS:

- Weather radar
- Air traffic control

CPI EDB S-Band 1 MW Coaxial Magnetron: VMS1610

Electrical Specifications

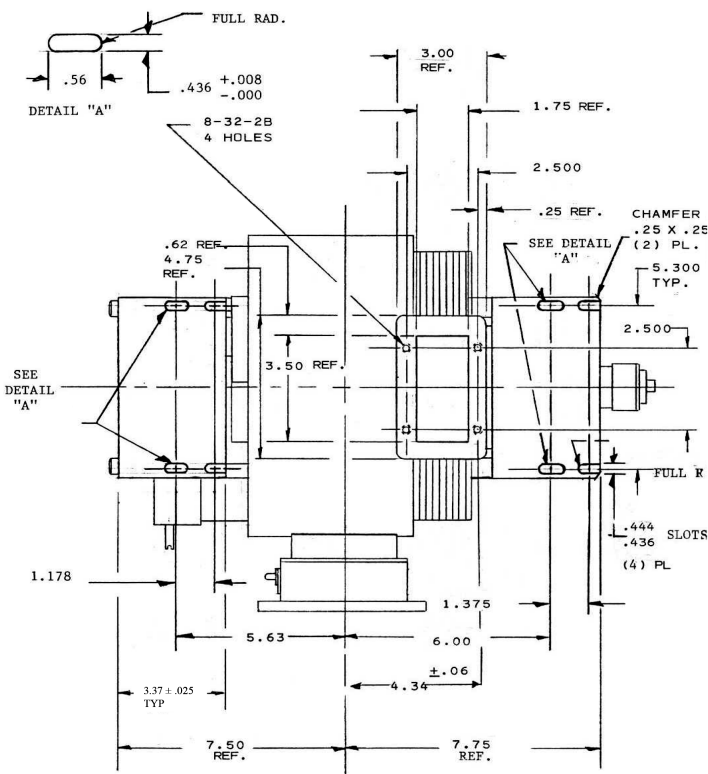
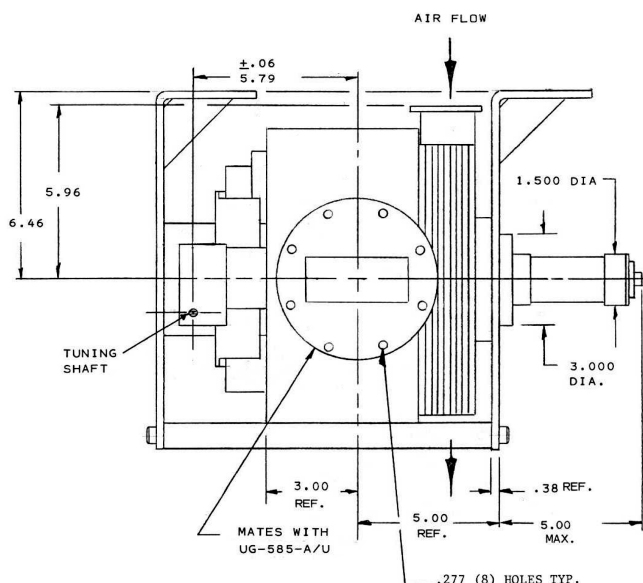
Frequency	2.7 – 2.9 GHz
Peak power output (min.)	1 MW
Average power output (min.)	1.1 kW
Pulse voltage	37.5 – 39.5 kV
Peak anode current	60 A
Average anode current	66 mA
Maximum pulse width	2.0 μ S
Duty cycle	0.0011
Maximum filament voltage	10 V
Maximum filament current	19 A
Minimum warm-up time	480 S
Maximum load VSWR	1.5:1

Mechanical and Environmental Specifications

Cooling	Forced air
Maximum body temperature	110° C
Mounting position	Any
Support	Mounting flange
Coupling	Mates with UG585A/U choke flange modified for clearance holes
Tuning	150 turns
Weight	75 lbs. (34.02 kg)

With a history of producing high quality products, we can help your with magnetron.

Contact us at ElectronDevices@cpi-edb.com or call us at +1 978-922-6000.



Beverly Microwave Division
 150 Sohier Road
 Beverly, Massachusetts
 USA 01915

tel +1 978-922-6000
 email ElectronDevices@cpi-edb.com
 fax +1 978-922-8914
 web www.cpi-edb.com

For more detailed information, please refer to the corresponding CPI EDB technical description if one has been published, or contact CPI EDB. Specifications may change without notice as a result of additional data or product refinement. Please contact CPI EDB before using this information for system design.

©2024 CPI Electron Device Business. Company proprietary; use and reproduction is strictly prohibited without written authorization from CPI EDB.